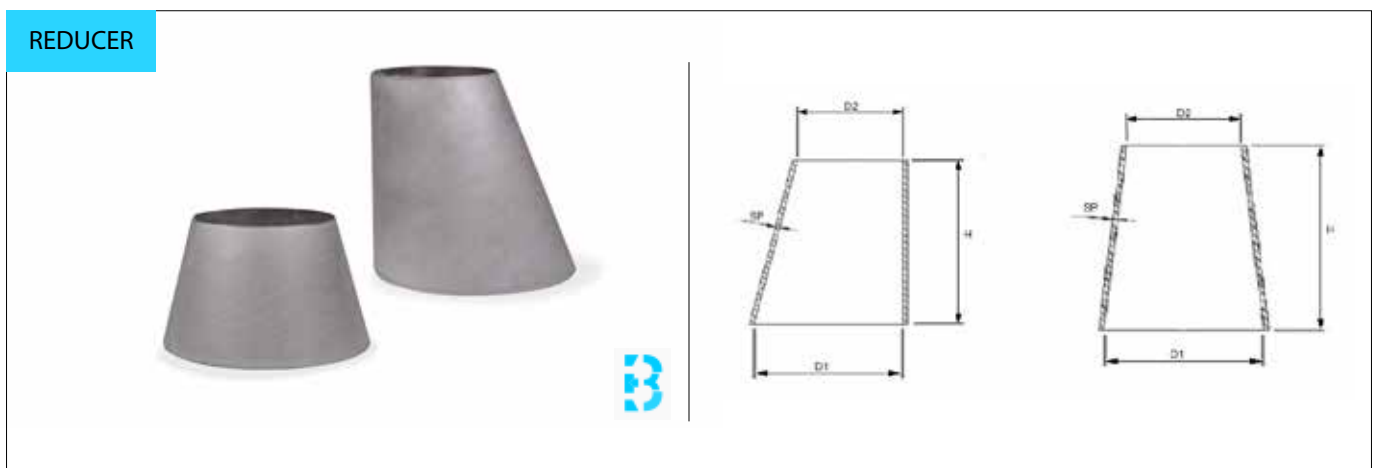




WELDED CONCENTRIC - ECCENTRIC REDUCER

PRODUCT	REDUCER
MATERIAL	STAINLESS STEEL
AISI TYPE	AISI 304/304L - AISI 316/316L EN 1.4301/1.4307 - EN 1.4401/1.4404
NORM	EN 10253



METRIC MEASURES

DIMENSIONI INTERNE			
D1	D2	H	SP
80	50	80	2
	65		
100	50	100	2-3
	65		
	80		
125	50	125	2-3
	65		
	80		
	100		
150	50	150	2-3
	65		
	80		
	100		
	125		

* The information given in table is indicative and non-binding.
* Dimensions are expressed in mm.

METRIC MEASURES

DIMENSIONI INTERNE			
D1	D2	H	SP
200	65	200	2-3
	80		
	100		
	125		
	150		
250	100	250	2-3
	125		
	150		
	200		
300	125	300	3-4
	150		
	200		
	250		
350	150	350	3-4
	200		
	250		
	300		
400	200	400	3-4
	250		
	300		
	350		
450	250	450	3-4
	300		
	350		
	400		
500	300	500	3-5
	350		
	400		
	450		
600	350	600	3-6
	400		
	450		
	500		
700	400	700	3-6
	450		
	500		
	600		
800	450	800	4-6
	500		
	600		
	700		

* The information given in table is indicative and non-binding.

* Dimensions are expressed in mm.