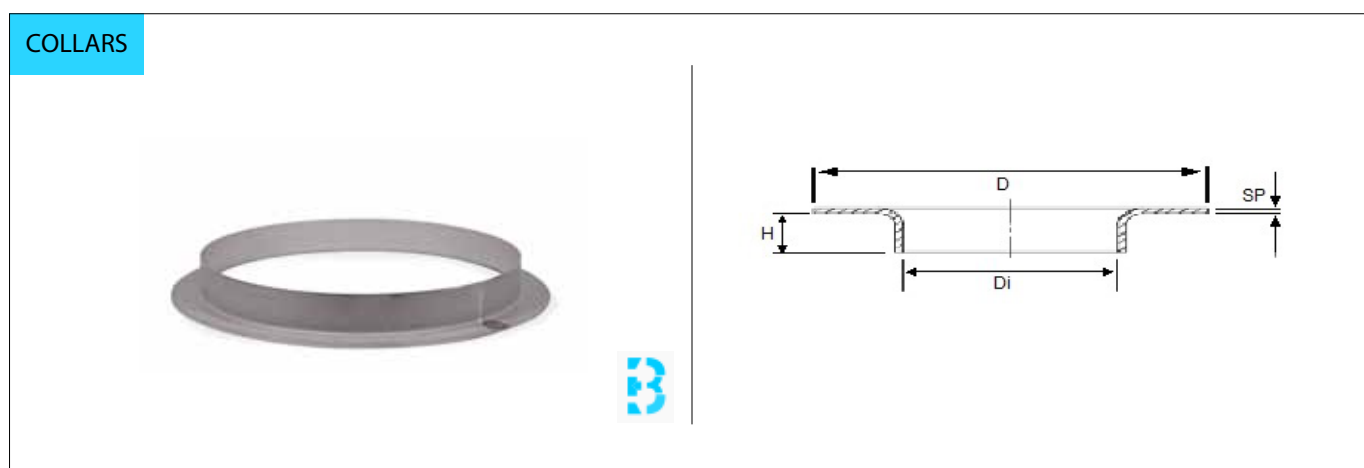


WELDED COLLAR

PRODUCT	WELDED COLLAR
MATERIAL	STAINLESS STEEL
AISI TYPE	AISI 304/304L - AISI 316/316L EN 1.4301/1.4307 - E N 1.4401/1.4404
NORM	EN 1092-1 type 33



METRIC MEASURES

Diametro nominale	Di	D	H sotto base d'appoggio	SP
200	200	265	36	2-4
250	250	315	38	2-4
300	300	365	38	2-6
350	350	420	40	3-6
400	400	480	45	3-6
450	450	530	45	3-6
500	500	578	50	3-6
600	600	685	50	3-8
700	700	800	50	3-8
800	800	880	60	4-8
900	900	980	60	4-8
1000	1000	1080	60	4-8

* The information given in table is indicative and non-binding.
* Dimensions are expressed in mm.